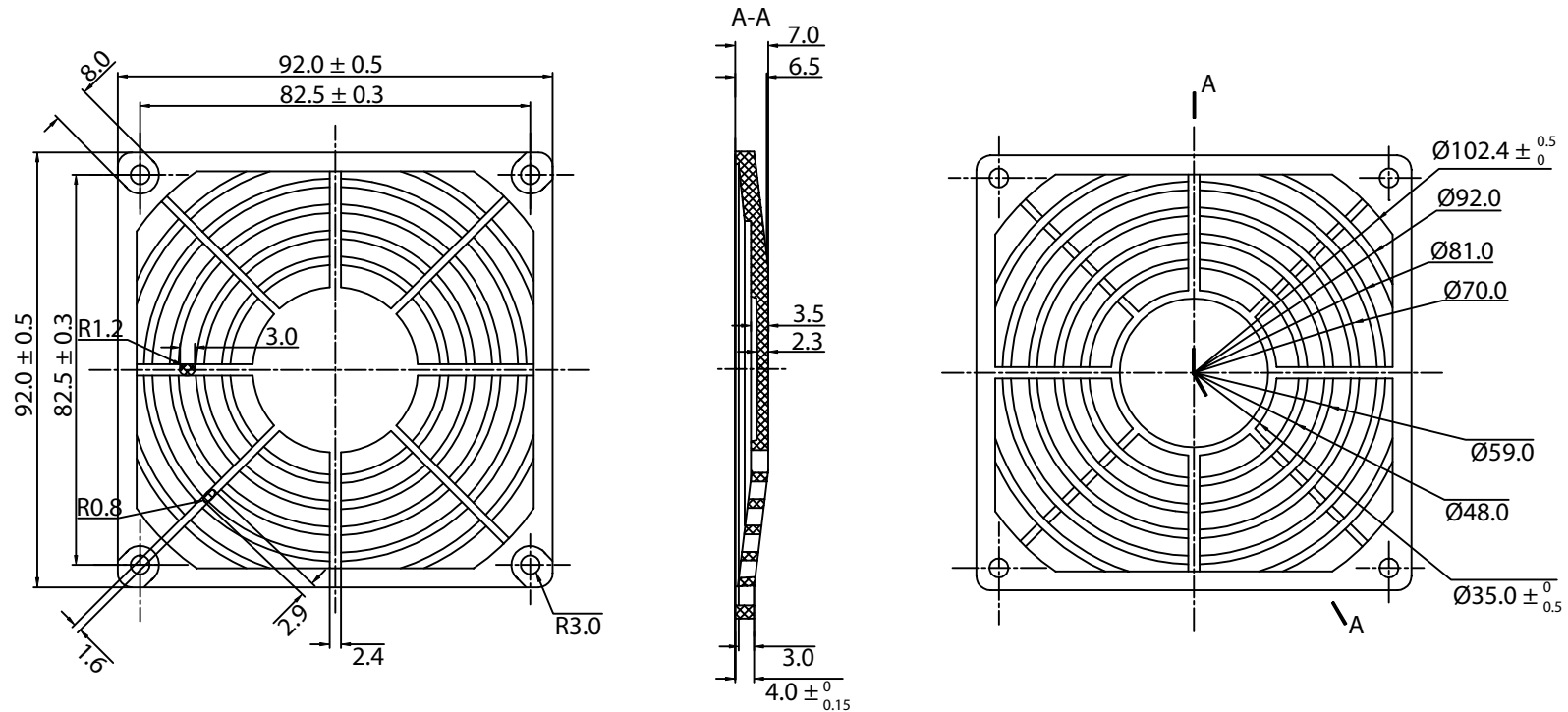


THESE DRAWINGS ARE THE PROPERTY OF QUALTEK ELECTRONICS AND NOT TO BE REPRODUCED FOR OR COMMUNICATED TO A THIRD PARTY WITHOUT THE EXPRESS WRITTEN PERMISSION OF AN OFFICER OF QUALTEK ELECTRONICS.

REVISION			
REV.	DESCRIPTION	DATE	APPROVED
B	RoHS Compliancy	06-01-06	DP



**CONTROLLED**

NOTES:

MATERIAL: PBT UL94V-0  
RoHS COMPLIANT

Dim range (mm)	Tolerance +/- (mm)	Qualtek Electronics Corp. FAN-S DIVISION											
		Part Number: <b>09363-G</b>		<span style="border: 1px solid green; padding: 2px;">RoHS Compliant</span>									
0-5	0.1	Description: <b>PLASTIC FAN GUARD</b>											
5-16	0.15	<table border="1" style="width: 100%; border-collapse: collapse;"> <tr> <td style="width: 33%;">UNIT: mm</td> <td style="width: 33%;">REV: B</td> <td style="width: 33%;"></td> </tr> <tr> <td>Drawn / Date</td> <td>Checked / Date</td> <td>Approved / Date</td> </tr> <tr> <td>B. ZHANG 10-17-03</td> <td>10-17-03</td> <td>JJH / 10-17-03</td> </tr> </table>			UNIT: mm	REV: B		Drawn / Date	Checked / Date	Approved / Date	B. ZHANG 10-17-03	10-17-03	JJH / 10-17-03
UNIT: mm	REV: B												
Drawn / Date	Checked / Date	Approved / Date											
B. ZHANG 10-17-03	10-17-03	JJH / 10-17-03											
16-64	0.2												
64-250	0.4												
250-1000	0.5												
1000-1500	1.0												